

Technical data sheet

Product features



Electric fryer 13l on cabinet

Model	SAP Code	00019407
--------------	-----------------	----------



- Basin volume [l]: 13
- Drain type: Trough the cabinet
- Maximum device temperature [°C]: 190
- Minimum device temperature [°C]: 50
- Material: AISI 304 top plate and cladding
- Heating location: Inside the tank
- Number of baskets: 1
- Basket dimensions [mm x mm x mm]: 215 x 300 x 120

SAP Code	00019407	Loading	400 V / 3N - 50 Hz
Net Width [mm]	400	Basin volume [l]	13
Net Depth [mm]	730	Number of basins	1
Net Height [mm]	900	Number of baskets	1
Net Weight [kg]	46.00	Basket dimensions [mm x mm x mm]	215 x 300 x 120
Power electric [kW]	9.900	Ratio power/volume [kW/l]	0.76

Technical data sheet

Technical drawing

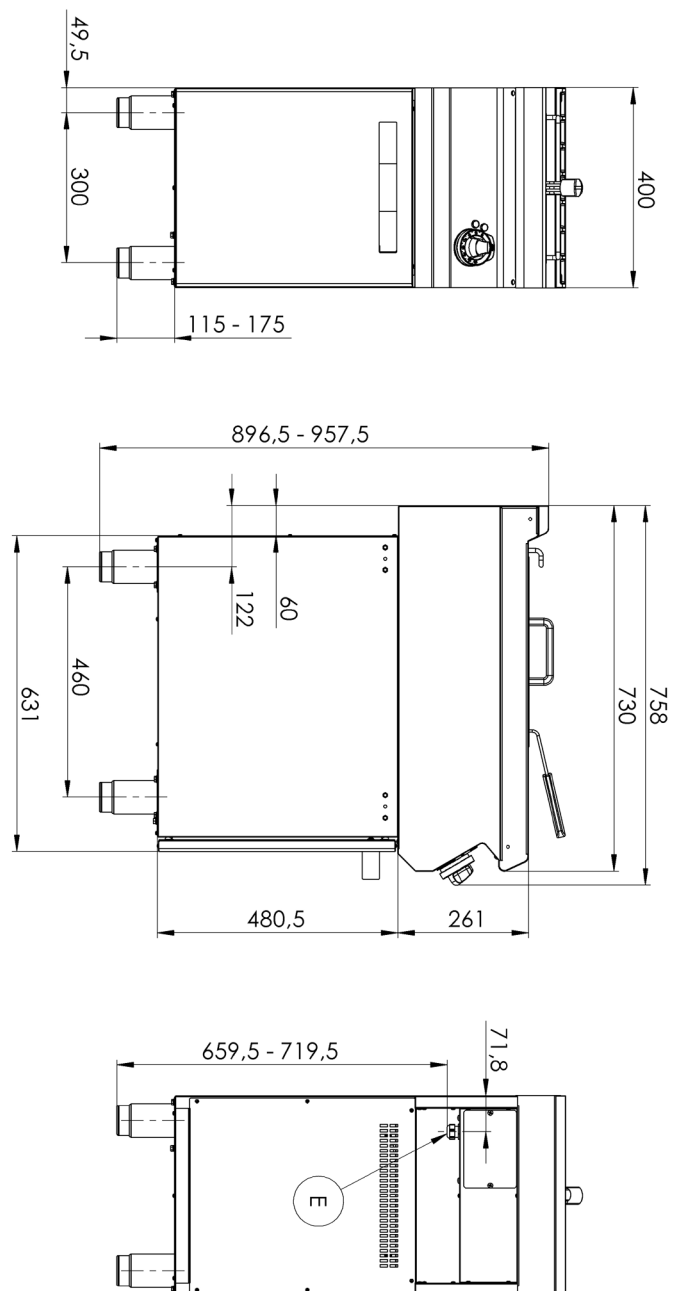


Electric fryer 13l on cabinet

Model

SAP Code

00019407



Technical data sheet

Technical parameters



Electric fryer 13l on cabinet

Model

SAP Code

00019407

1. SAP Code:

00019407

2. Net Width [mm]:

400

3. Net Depth [mm]:

730

4. Net Height [mm]:

900

5. Net Weight [kg]:

46.00

6. Gross Width [mm]:

440

7. Gross depth [mm]:

800

8. Gross Height [mm]:

1065

9. Gross Weight [kg]:

52.00

10. Device type:

Electric unit

11. Construction type of device:

With substructure

12. Power electric [kW]:

9.900

13. Loading:

400 V / 3N - 50 Hz

14. Protection of controls:

IPX4

15. Device color:

Stainless steel

16. Material:

AISI 304 top plate and cladding

17. Indicators:

operation and warm-up

18. Worktop type:

Molded - comfortable cleaning maintenance

19. Worktop material:

AISI 304

20. Worktop Thickness [mm]:

1.50

21. Device heating type:

Direct

22. Standard equipment for device:

lid and basket

23. Basin volume [l]:

13

24. Basin dimensions [mm x mm x mm]:

265 x 346 x 200

25. Maximum device temperature [°C]:

190

26. Minimum device temperature [°C]:

50

27. Safety thermostat:

Yes

28. Heating element material:

AISI 304

Technical data sheet

Technical parameters



Electric fryer 13l on cabinet

Model

SAP Code

00019407

29. Number of baskets:

1

30. Number of basins:

1

31. Basket dimensions [mm x mm x mm]:

215 x 300 x 120

32. Basin material:

AISI 304 - High quality stainless steel

33. Ratio power/volume [kW/l]:

0.76

34. Drain type:

Trough the cabinet

35. Heating location:

Inside the tank